

HOW TO BUILD A PING PONG TABLE

DESIGN AND CONSTRUCTION BY

TRANSLATION
FROM ITALIAN TO ENGLISH
BY DAVIDE DONÀ



Davide Donà – Grignasco (NO) - Italy



davidedona@libero.it



<http://www.facebook.com/home.php?#!/profile.php?id=1056514255>

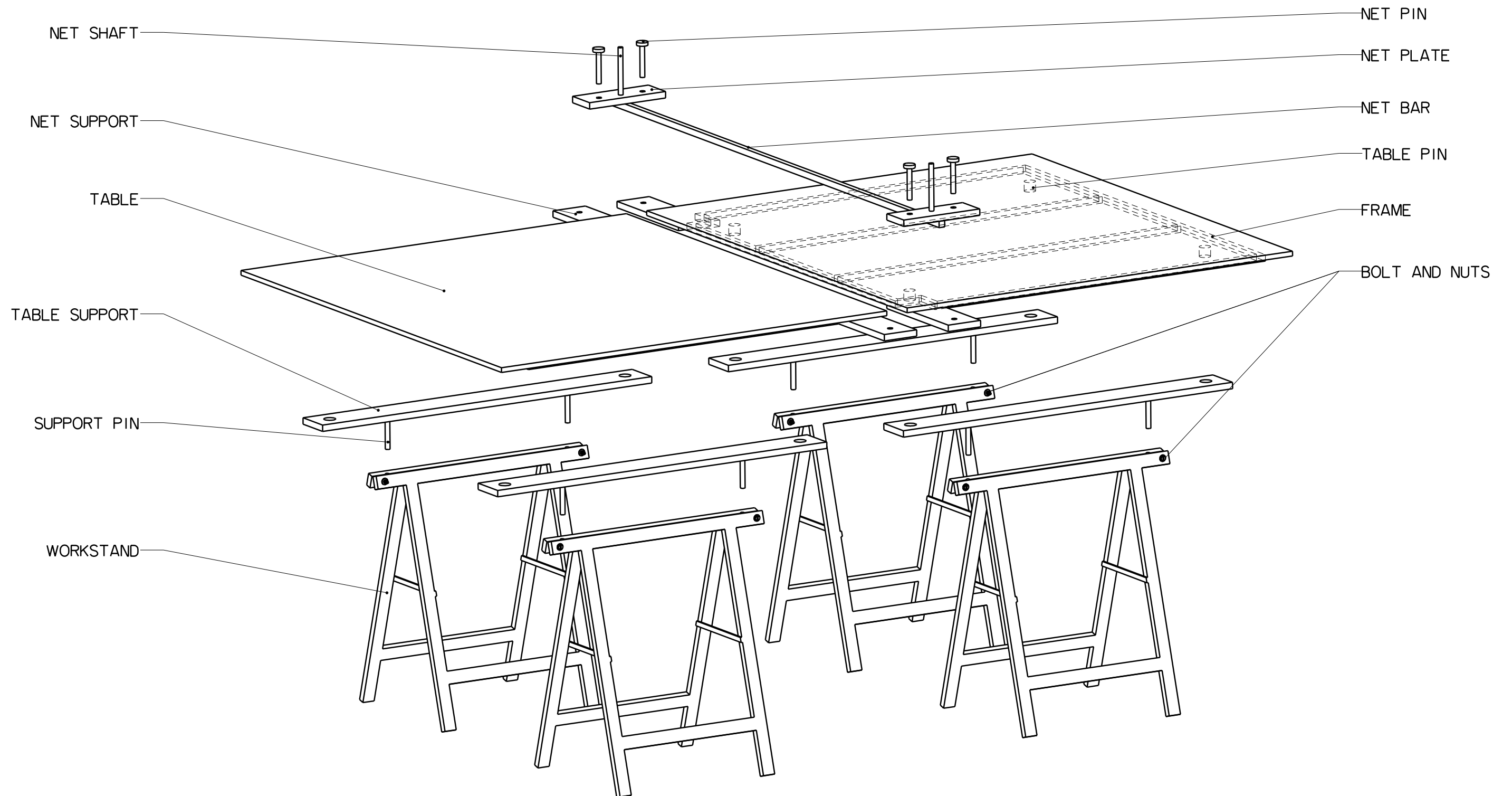


<http://ddonagrignasco.blogspot.com/>



<http://www.manuali.net/user/davidedona>

CONSTRUCTION DRAWINGS A4 SIZE



- 1) POSITIONING THE WORKSTAND TO THE RIGHT DISTANCES
- 2) ASSEMBLING THE TABLE SUPPORTS ON THE WORKSTANDS INSERTING THE SUPPORT PINS IN THE ITS HOUSINGS
- 3) POSITIONING THE TABLES ON THE TABLE SUPPORTS INSERTING THE TABLE PINS IN THE ITS HOLES
- 4) ASSEMBLING THE NET DEVICE ALLIGNING THE HOLES ON THE NET SUPPORT WITH THE HOLES ON THE NET PLATES SLIDING THE NET BAR UNDER THE TABLES
- 5) LOCK WITH NET PINS

